



Burnham-on-Sea & Highbridge Town Council

MAYOR
CLLR. MICHAEL CLARKE

TOWN CLERK
MRS. DENISE EMERY

TOWN CENTRE MANAGER
MRS. BEVERLEY MILNER SIMONDS

THE OLD COURTHOUSE
JAYCROFT ROAD
BURNHAM-ON-SEA
SOMERSET TA8 1LE

TELEPHONE 01278 788088
FAX 01278 794493
WEBSITE: www.burnham-highbridge.org

Request to hire the Electric Pillar - High Street

Hirers name _____

Signed (I have read and understood the hiring conditions outlined below)

Hiring organisation _____

Event Organiser _____

Date of hire _____

Reason for hire _____

Date applied _____

Sockets

1 There are permanent 240v single phase power supplies for use by authorised traders and events housed in a dedicated feeder pillar, outside No. 41 High Street

2 The electric feeder pillar has six sockets

- a. Sockets 1 & 2 and socket 3 & 4; each pair of sockets will include two 16A Commando socket outlets with individual DP isolators and 20A mcb split between the two socket outlets; allowing a maximum 20A load shared between each socket.
 - b. Socket 5 is a 32A Commando socket with DP isolator and 32A mcb, allowing a maximum 32A load dedicated to this socket
 - c. Socket 6 is a 16A Commando socket with DP isolator and 16A mcb, allowing a maximum 16A dedicated to this socket
- 3 Connection to a Burnham-on-Sea and Highbridge Town Council supply outlet can only be made using a 16A MK Commando plug or similar, to sockets 1,2,3,4 & 6 (32 A MK Commando plug for the dedicated 32A supply, socket 5).

Define the number of the sockets you wish to hire by deleting those not required

1 2 3 4 5 6

4 All connections into the Burnham-on-Sea and Highbridge Town Council feeder pillar will be made via the cable louvre provided; the doors of the feeder pillar should not be left open when in general use.

5 Connection shall only be made to the numbered socket as advised. All sockets are fitted with padlocks to limit their use based on the envisaged load/types of loads to be used on any particular day. The key for the particular socket to be used by the stallholder/event organiser will be provided by the Town Centre Manager no later than on the day of use, and should be returned at the end of the days trading/event.

6 A refundable deposit will be required of £25.00

The following guidance will be used when assessing suitability and safety:

1 All flexible leads from the supply outlet to the traders equipment must be of Arctic grade cable to BS6500, or better, and be 3 core (including a protective earthing conductor)

2 Flexible cables should not be laid in areas accessible to the public unless they are protected against mechanical damage.

3 Mechanical protection or armoured cables should be used wherever there is a risk of damage.

4 Cables offering integral mechanical protection are:

i. Steel wire armoured

ii. Cable with external protective steel wire braid

5 Rubber cable matting should be used to reduce the risk of tripping, but cannot be considered as providing sufficient mechanical protection for flexible cables.

6 Where flexible cables are used above floor level they should not be unsupported across gaps wider than two metres without the use of a suitable catenary wire support.

7 Any plug/socket connections should be protected against damage and secured above ground level to reduce the risk of water penetration from puddles

8 It is the responsibility of the event organiser to ensure that any equipment or appliance that is connected to the Burnham-on-Sea and Highbridge Town Council distribution box is suitable and safe at all times.

9 Burnham-on-Sea and Highbridge Town Council reserve the right to inspect any equipment or appliances connected to their supply and take any appropriate action to ensure public safety.

10 The Burnham-on-Sea and Highbridge Town Council feeder pillar must remain readily accessible and obvious at all times in case urgent disconnection is required.

General guidance

1 Traders must not illuminate or provide power to a stand, exhibition, stall or stage by any other means than that provided or recommended without the written consent of Burnham-on-Sea and Highbridge Town Council. Any such requests to make changes must be in writing and include relevant details and drawings provided by the qualified electrical contractor who will undertake the works, if approved.

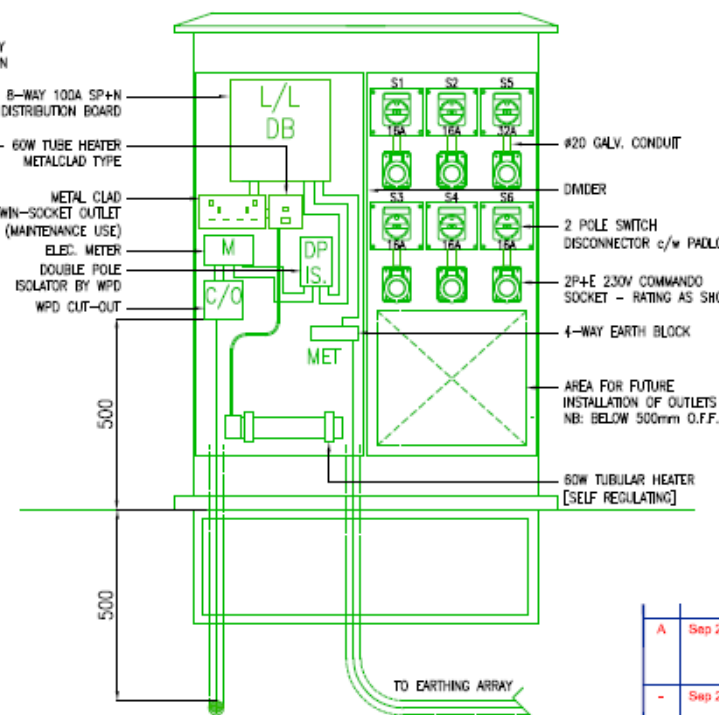
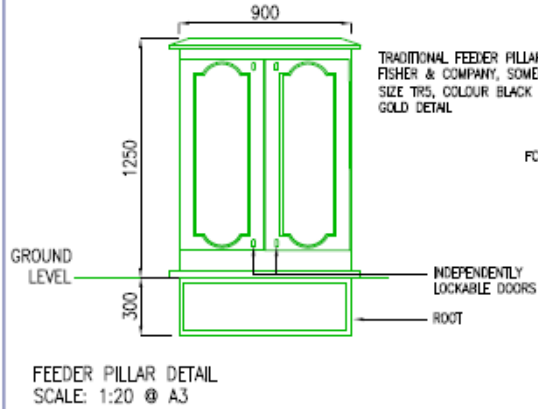
2 The power supplies for any stand, exhibition, stall or stage granted permission by Burnham-on-Sea and Highbridge Town Council to trade on High Street, Burnham-on-Sea, must not be taken from adjacent shop premises or domestic properties.

3 Any authorised electrical works of any kind must comply with and be carried out in accordance with the current schedule of the Institution of Engineering & Technology.

4 All electrical equipment used by each trader must have been Portable Appliance Tested (PAT) in the last 12 months. You may be required by the Town Centre Manager to show documentary evidence e.g. test certificate.

Please sign and return this whole document together with your deposit and payment before the commencement of your hire.

Return to: Town Centre Manager, Burnham on Sea & Highbridge Town Council, Old Courthouse Building, Jaycroft Road, Burnham on Sea, TA8 1LE



NOTES:

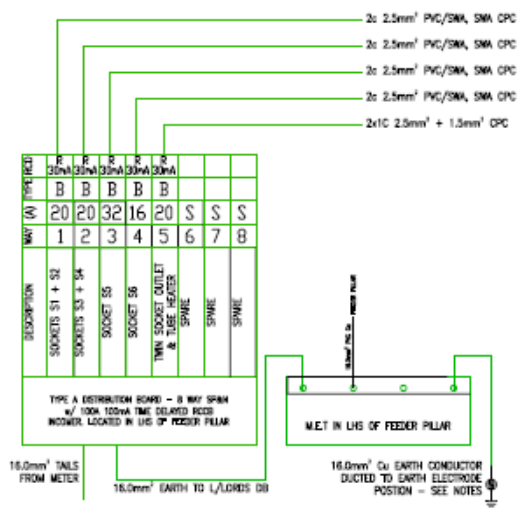
SWITCH DISCONNECTORS
Manufacturer: SCAME UK LTD, Unit A3 & A4
5000 Shannon Way, Tewkesbury Business Park
Tewkesbury, Gloucestershire, GL20 8GB
Tel: 01684 299800

Ref: 590.GE3202 ISOLAT.23A 2P IP65
SURF.MPLAST.BOX GEN

Rated current: To suit application
Poles: 2P
Protection degree: IP65
Dimension: 130x125x85mm
Colour: GREY

COMMANDO SOCKETS
Manufacturer: SCAME UK LTD, Unit A3 & A4
5000 Shannon Way, Tewkesbury Business Park
Tewkesbury, Gloucestershire, GL20 8GB
Tel: 01684 299800

Ref: OPTMA Series, 2P+E, Straight Box IP44
rated
Rated current: To suit application
Rated voltage: 200-250v
Colour: BLUE
Protection degree: IP44



DISTRIBUTION BOARD:
Manufacturer and reference - MEB, Schneider, Hager, Protok or approved equivalent.
Standard - BS 5486-11 or BS 5486-12 and BS EN 60439-3.
Main control - Residual current circuit breaker - 100A 100mA time delayed
Number of ways - 8 No.
Permanently label each way to identify circuit and rating.
Circuit protection - Miniature circuit breakers to BS EN 62893-1.

Short circuit capacity kA as applicable to circuit
Rating (A) to suit circuit
RCBO additional protection for circuits (ing mains and external use to BS EN 61008-1 and BS IEC 1008-2-2.
Tripping current 30 mA
Tripping time as applicable
Breaking capacity as applicable
Enclosure
Degree of protection to BS EN 60529 IP44
Sheet steel enclosure

Rev.	Date	Revisions
A	Sep 2014	Sockets & Switchgear Moved Above 500mm Over F.F.L. Tube Heater Shown
-	Sep 2014	Final Issue

copyright

building services consultants

Adcroft House, 15 Roath Road, Portlehead, Birbitol, BS20 6AW
Tel/Fax: (01275) 565556
Email: mal@building-services-consultants.com

Client	Job Title	Drawing Title	Scale	Checked by	Drawing Number	Revision
Bumham & Highbrdge T.C.	External Electricity Supplies High Street, Bumham-on-Sea	Electrical Services Proposed Feeder Pillar Schematics & Details	AS INDICATED		140801-SK-E001	A
			Date	Drawn by		
			Sept 2014			
					<input type="checkbox"/> Preliminary <input type="checkbox"/> Tender <input type="checkbox"/> Construction <input type="checkbox"/> As Fitted	